

# MICOS

MOTION CONTROL & OPTICS **USA**

[Terms](#) | [Sitemap](#) | [About us](#) | [Contact](#) | [Catalog](#) | [Shows](#) | [News](#) | [Offices](#) | [Partners](#) | [Press Center](#) | [Support](#) | [Team](#) | [Home](#)

MICOS USA • 15375 BARRANCA PARKWAY • STE G101 • IRVINE • CA 92618 • PHONE 949 480 0538 • FAX 949 480 0538

Page

6.006

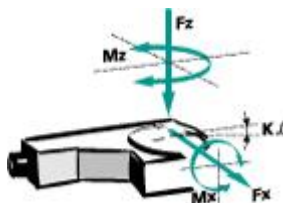
Rotation Stage ADT-65

Manual Positioners:



### Key features

- Clear aperture 25 mm
- Preloaded worm drive for zero-backlash
- High precision four point-bearings
- Precise, smooth continuous 360° motion
- Load up to 10 kg
- Module combination



### FACTS

Load Characteristics	Fx (N)	Fz (N)	Mx (Nm)	Mz (Nm)	ka (μrad/Nm)
Manual	50	100	20	5	45

### DESCRIPTION

Rotation Stages **ADT-65** are perfectly suited for simple precision positioning of samples and test pieces. They are the manual variant to our proved motorized driven rotation stages of MICOS . Rotation Stages ADT-65 are equipped with a high-precision, prestressed four point bearing.

The drive is made by a screw worm-gear wheel and a turning knob with a 100 scale line. Rotation Stages ADT-65 are suited for vertical and horizontal use. With only little effort they can be configured together with other MICOS components to systems.

<b>Rotation Range (°)</b>	<b>360, endless</b>
Worm Gear reduction	180:1
Reversal Error (°)	+/- 0.005
Flatness (µm)	+/- 6
Eccentricity (µm)	+/- 6
Wobble (µrad)	+/- 20

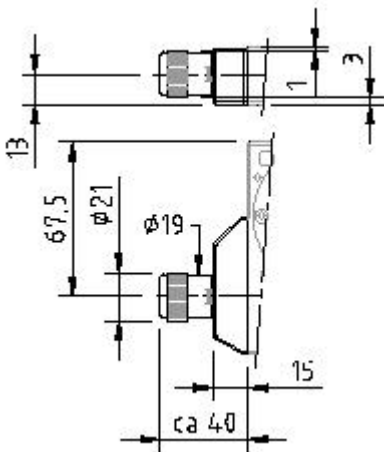
<b>Resolution (°)</b>	
Knob	0.02
Scale platform	1

<b>Sensitivity (°)</b>	0.01
------------------------	------

<b>Material</b>	Special Alu, black anodized
<b>Weight (kg)</b>	0.5

MOTION CONTROL Systems Positioners MiniPos DirectDrives Controllers ManPos Accessories Vacuum MAC PhotonX M A C

#### ADT-65 Knobs

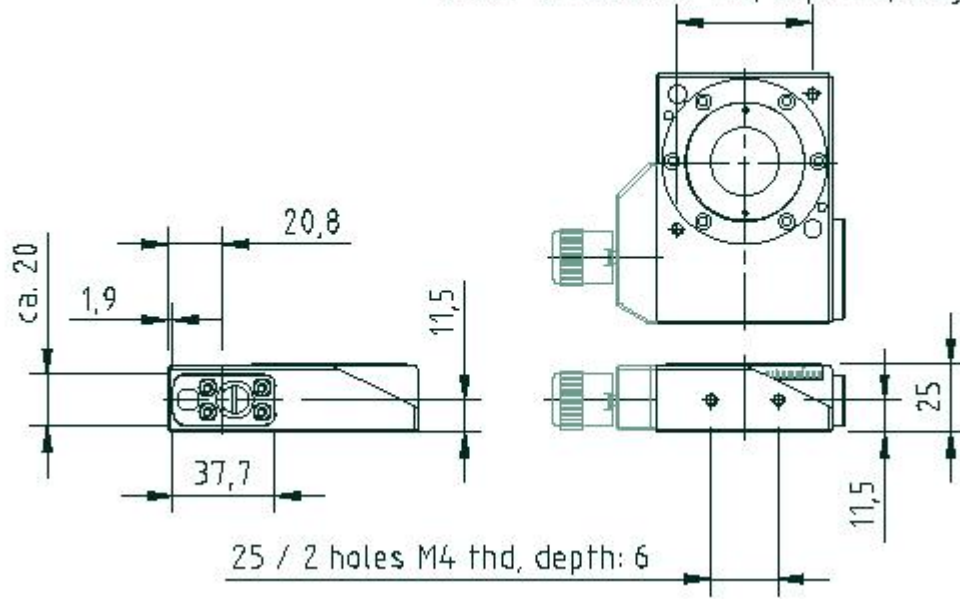


MOTION CONTROL Systems Positioners MiniPos DirectDrives Controllers ManPos Accessories Vacuum MAC PhotonX M A C

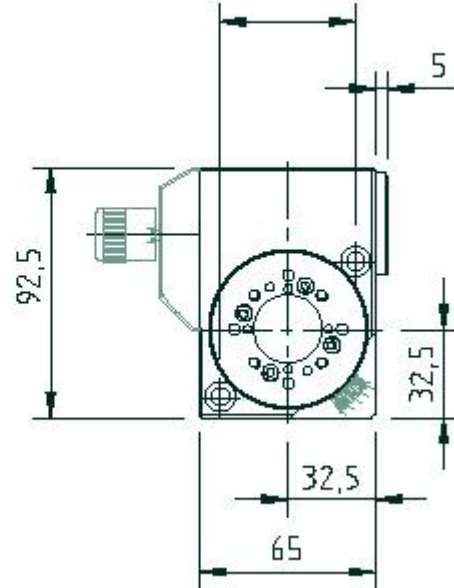
#### ADT-65 Base

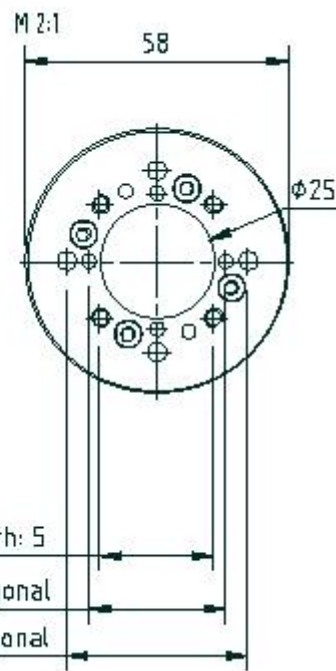
Rotation range  
360°, endless

∅50 / 2 holes M4 thd, depth: 6, diagonal



∅50 / 2 holes c` bored M6 {DIN 74 - Km6} diagonal





□25 / 4 holes M4 thd, depth: 5

30 / 4 holes borefit for dowel φ3H7, depth:5, diagonal

40 / 4 holes borefit for dowel φ4H7, depth:5, diagonal

MOTION CONTROL Systems Positioners MiniPos DirectDrives Controllers ManPos Accessories Vacuum MAC PhotonX M A C

ADT-65 Ordering information

Rotation Stage	Order-No.
ADT-65	6441-9-600

Founded in 1990, MICOS specializes in the development, manufacturing and marketing of ultra-high precision positioning components and systems for research and industry. We are experts in vacuum, ultra-high vacuum, clean room, and extreme climate environments down to 77 Kelvin. ▶▶

[Terms](#) | [Sitemap](#) | [About us](#) | [Contact](#) | [Catalog](#) | [Shows](#) | [News](#) | [Offices](#) | [Partners](#) | [Press Center](#) | [Support](#) | [Team](#) | [Home](#)  
**MOTION CONTROL** = [Systems](#) | [Positioners](#) | [MiniPositioners](#) | [DirectDrives](#) | [Controllers](#) | [ManPositioners](#) | [Accessories](#) | [Vacuum](#)  
**MAC PhotonX** = [Moskito](#) | [Albatros](#) | [Campus](#)

Copyright 2006 © MICOS GmbH